

Low Voltage Fuse

Professional High Voltage And Low Voltage Fuse Manufacturer

Bolt Connected Fuse Links



Bolt Connected Fuse Links



► Applications

Protection against overload and short-circuit in electric lines (type gG), also available for protection of semiconductor parts and equipment against short-circuit (type aR) and protection of motors (type aM).

Rated voltage up to 1200V; Rated current up to 630A; Working frequency 50Hz AC; Rated breaking capacity up to 80KA. Compliant with GB13539 and IEC269.

► Design Features

Variable cross-section fuse element made from pure copper or silver sealed in cartridge made from high-duty ceramic or epoxy glass. Fuse tube filled with chemically treated high-purity quartz sand as arc-extinguishing medium. Dot-welding of fuse element ends to the terminals ensures reliable electric connection and forms insert knife type contacts. Striker may be attached to the fuse link to provide immediate activation of microswitch to give various signals or cut the circuit automatically.

► Basic Data

The models, dimensions, ratings are shown in Figures 5.1~5.11 and Tables 5 .

Table 5

| Cat. No. | Models | | Cross-reference | | Rated voltage (V) | Rated current (A) | Dimensions/size (mm) | | | | | | | | Weight (g) | |
|----------|--------|-------|-----------------|----------|-------------------|-------------------|----------------------|----|----|----------|------|----|-----|----------|------------|------|
| | MIRO | | gG(Normal) | aR(Fast) | | | Fig. A | B | C | ϕ D | E | F | H | ϕ d | | |
| 0501 | RGOK | RGSOK | NIT | - | 415 | 1-32 | 5.1 | 34 | 45 | 55 | 13.5 | 11 | 0.8 | 14.5 | 5 | 14.4 |
| 0502 | RG2 | RGS2 | TIS RT12-63 | - | 500 | 40-100 | 5.1 | 56 | 75 | 88 | 25.5 | 13 | 1.2 | 27 | 6.5 | 73.8 |

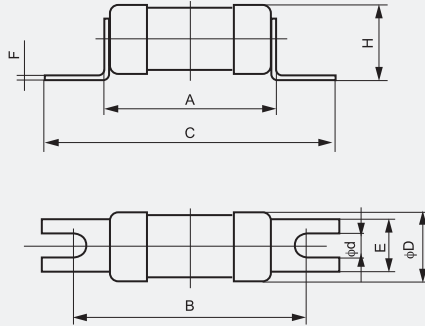


Figure 5.1



Low-Voltage Fuses
Fuse links



Table 5 (cont.)

| Cat. No. | Models | | Cross-reference | | Rated voltage (V) | Rated current (A) | Dimensions/size (mm) | | | | | | | | Weight (g) | |
|----------|--------|--------|-----------------|----------|-------------------|-------------------|----------------------|------|----|----------|------|------|-----|----------|------------|------|
| | MIRO | | gG(Normal) | aR(Fast) | | | Fig. A | B | C | ϕ D | E | F | H | ϕ d | | |
| 0503 | RG1 | RGS1 | TIA | - | 500 | 4-35 | 5.2 | 54 | 73 | 85 | 22 | 9.5 | 1.5 | 25 | 5.5 x 7.5 | 55 |
| 0504 | RG3 | RGS3 | - | - | 500 | 6-63 | 5.2 | 54 | 73 | 85 | 22 | 9.5 | 1.5 | 25 | 5.5 x 7.5 | 51.1 |
| 0505 | RG4 | RGS4 | - | GSG | 660/1000 | 10-63 | 5.2 | 49.5 | 63 | 77 | 16.5 | 12.5 | 2.0 | 18 | 6.5 x 9 | 32 |
| 0506 | RG6 | RGS6 | - | GSA | 500 | 80 | 5.2 | 68 | 93 | 112 | 31 | 19 | 2.0 | 33 | 9 x 11.5 | 146 |
| 0507 | RG7 | - | TCP | - | 500 | 100 | 5.2 | 68 | 95 | 114 | 34 | 19 | 2.0 | 35 | 9 x 11.5 | 228 |
| 0508 | RG7A | RGS7A | - | PC10D | 500 | 110-150 | 5.2 | 57 | 99 | 119 | 38 | 24 | 3.0 | 40 | 5 | 178 |
| 0509 | RG11 | RGS11 | - | CR2L GSB | 250/380 | 16-75 | 5.2 | 27.5 | 42 | 56 | 16.5 | 12.5 | 2.0 | 17.5 | 6.5 x 9 | 25 |
| 0510 | RG12 | RGS12 | - | CR2L GSB | 250/500 | 75-175 | 5.2 | 31.5 | 58 | 80 | 26 | 19 | 3.0 | 27 | 9 x 11.5 | 79.5 |
| 0511 | RG14 | RGS14 | - | GSB | 500 | 5-20 | 5.2 | 31 | 37 | 46 | 8.5 | 7 | 0.8 | 9.5 | 4.5 x 6 | 55 |
| 0512 | RG14B | RGS14B | - | GSB | 500 | 5-20 | 5.2 | 54 | 64 | 73 | 8.5 | 7 | 0.8 | 9.5 | 4.5 x 6 | 8.5 |
| 0513 | RG15 | RGS15 | - | CR2L GSB | 250/500 | 200 | 5.2 | 34 | 60 | 88 | 30 | 25 | 3.0 | 36 | 11 x 13 | 120 |
| 0514 | RG17 | RGS17 | - | GSB | 500 | 40-100 | 5.2 | 54 | 78 | 96 | 22.2 | 20.5 | 2 | 24 | 9 x 12 | 62.3 |
| 0515 | RG18 | RGS18 | - | CR6L | 600 | 75-150 | 5.2 | 40 | 70 | 95 | 30 | 25 | 3.2 | 33 | 11 x 13 | 147 |
| 0516 | RG19 | RGS19 | - | CR6L | 600 | 200-250 | 5.2 | 43 | 82 | 107 | 37 | 30 | 4.0 | 42 | 11 x 13 | 219 |
| 0517 | RG0H | - | AAO | - | 500 | 2-32 | 5.2 | 34 | 72 | 84 | 13.5 | 9.4 | 1.2 | 15 | 5.5 x 7.8 | 18 |
| 0518 | RG4AD | RGS4AD | - | 250GH | 250 | 32-160 | 5.2 | 29 | 56 | 77 | 23.8 | 20 | 3 | 25.5 | 9 x 14 | 39 |
| 0519 | RG4A | RGS4A | - | 660GH | 660 | 125-200 | 5.2 | 50 | 77 | 98 | 23.8 | 20 | 3 | 25.5 | 9 x 14 | 53 |
| 0520 | RG4B | RGS4B | - | 660GH | 660 | 225-315 | 5.2 | 50.5 | 82 | 108 | 31 | 25 | 3 | 34 | 10.5 x 16 | 75 |

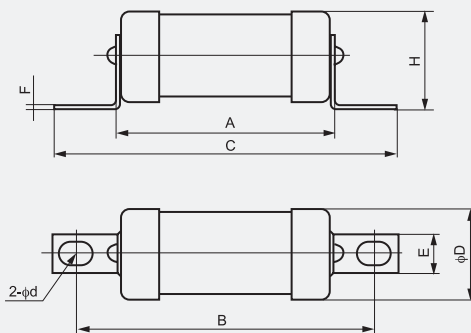


Figure 5.2

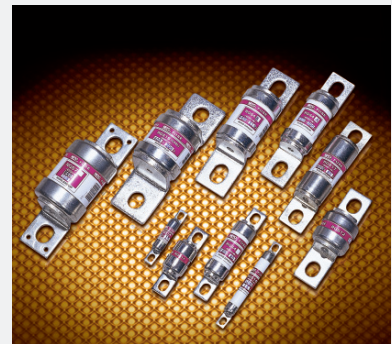


Table 5 (cont.)

| Cat. No. | Models | | Cross-reference | | Rated voltage (V) | Rated current (A) | Dimensions/size (mm) | | | | | Weight (g) | |
|----------|--------|-------|-----------------|----------|-------------------|-------------------|----------------------|----|----|----------|----|------------|------|
| | MIRO | | gG(Normal) | aR(Fast) | | | Fig. | A | C | ϕD | E | | F |
| 0521 | RG0 | RGS0 | NS | - | 415 | 1-32 | 5.3 | 32 | 59 | 13.5 | 11 | 0.8 | 15.2 |
| 0522 | RG0D | RGS0D | NS | - | 415 | 40-63 | 5.3 | 39 | 69 | 17.5 | 15 | 1.2 | 24 |

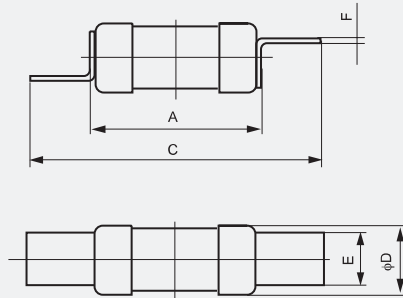


Figure 5.3



Table 5 (cont.)

| Cat. No. | Models | | Cross-reference | | Rated voltage (V) | Rated current (A) | Dimensions/size (mm) | | | | | | | | | | Weight (g) |
|----------|--------|---------|-----------------|----------|-------------------|-------------------|----------------------|------|----|-----|----------|------|---|----|----|----------|------------|
| | MIRO | | gG(Normal) | aR(Fast) | | | Fig. | A | B | C | ϕD | E | F | G | H | ϕd | |
| 0523 | RG4(Z) | RGS4(Z) | - | - | 660/1000 | 63 | 5.4 | 49.5 | 63 | 77 | 16.5 | 12.5 | 2 | 24 | 18 | 6.5 × 9 | 35 |
| 0524 | - | RGS7 | - | - | 500 | 100 | 5.4 | 59 | 83 | 110 | 38 | 25 | 3 | - | 41 | 11 × 14 | 280 |
| 0525 | - | RGS7(Z) | - | - | 500 | 100 | 5.4 | 59 | 83 | 110 | 38 | 25 | 3 | 44 | 41 | 11 × 14 | 295 |

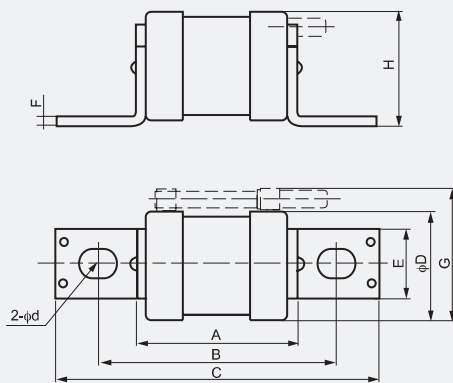


Figure 5.4



Table 5 (cont.)

| Cat. No. | Models | | Cross-reference | | Rated voltage (V) | Rated current (A) | Dimensions/size (mm) | | | | | | | | | Weight (g) |
|----------|--------------------|----------|-----------------|----------|-------------------|-------------------|----------------------|-------|-----|----------|------|----|-----|----------|---------|------------|
| | MIRO gG(Normal) | aR(Fast) | gG(Normal) | aR(Fast) | | | Fig. A | B | C | ϕ D | E | F | H | ϕ d | | |
| 0526 | RG2-1 | RGS2-1 | - | PC63 | 500 | 32-63 | 5.5 | 51 | 80 | 98 | 25 | 19 | 2.0 | 28.5 | 9 | 81 |
| 0527 | RG5 | RGS5 | - | GSB | 1200 | 6-32 | 5.5 | 110 | 121 | 138 | 26 | 13 | 1.5 | 27 | 6.5 | 91 |
| 0528 | RG5-1 | RGS5-1 | - | | 1200 | 16-75 | 5.5 | 107.5 | 127 | 140 | 25.5 | 13 | 1.3 | 28 | 6.5 x 9 | 98 |
| 0529 | RG5D | RGS5D | - | GSB | 1200 | 32-63 | 5.5 | 110 | 124 | 138 | 26 | 13 | 1.5 | 27 | 6.5 | 107 |
| 0530 | RG13 | RGS13 | - | PC25 | 500 | 2-25 | 5.5 | 57 | 75 | 91 | 15 | 13 | 1.5 | 20.5 | 6.5 | 37 |
| 0531 | RG16 | RGS16 | - | GSB | 500 | 25-40 | 5.5 | 56 | 78 | 95 | 14 | 13 | 1.5 | 17 | 6.5 | 29 |

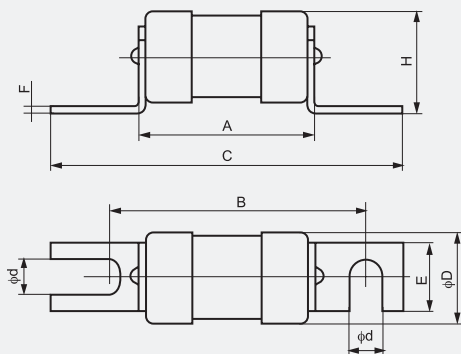


Figure 5.5



Low-Voltage Fuses
Fuse links



Table 5 (cont.)

| Cat. No. | Models | | Cross-reference | | Rated voltage (V) | Rated current (A) | Dimensions/size (mm) | | | | | | | | | Weight (g) |
|----------|--------------------|----------|-----------------|----------|-------------------|-------------------|----------------------|------|-----|----------|----|----|----------|----------|------|------------|
| | MIRO gG(Normal) | aR(Fast) | gG(Normal) | aR(Fast) | | | Fig. A | B | C | ϕ D | E | F | ϕ d | | | |
| 0532 | RG8 | RGS8 | TC | - | 415/550 | 125-160 | 5.6 | 63.5 | 110 | 135 | 38 | 19 | 3.0 | 8.5 x 15 | 212 | |
| 0533 | RG8B | RGS8B | - | - | 415/550 | 80-100 | 5.6 | 60 | 74 | 94 | 22 | 20 | 3.0 | 6 x 9 | 60.9 | |
| 0534 | RG9 | RGS9 | RT15-200/B2 | - | 415/550 | 200 | 5.6 | 74 | 110 | 135 | 40 | 19 | 3 | 9.5 x 15 | 24.2 | |
| 0535 | RG10 | RGS10 | RT15-350/B3 | - | 415/550 | 250-350 | 5.6 | 76 | 112 | 138 | 53 | 25 | 3 | 9 x 15 | 451 | |
| 0536 | RG10B | RGS10B | TM | - | 415/550 | 355-400 | 5.6 | 73.5 | 110 | 135 | 60 | 25 | 4 | 8.5 x 15 | 563 | |

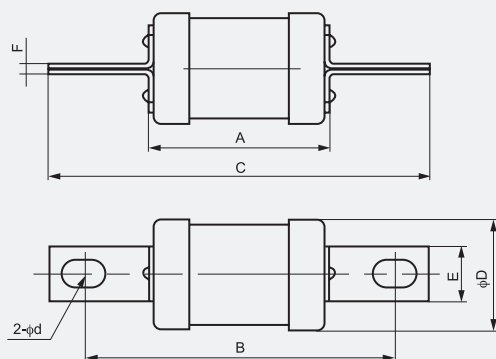


Figure 5.6



Table 5 (cont.)

| Cat. No. | Models | | Cross-reference | | Rated voltage (V) | Rated current (A) | Dimensions/size (mm) | | | | | | | | Weight (g) | |
|----------|--------|---------|-----------------|----------|-------------------|-------------------|----------------------|----|-----|-----|----------|----|---|----|------------|----------|
| | MIRO | | gG(Normal) | aR(Fast) | | | Fig. | A | B | C | ϕ D | E | F | H | | ϕ d |
| 0537 | RG77 | RGS77 | - | GSG | 660/1000 | 100-500 | 5.7 | 58 | 85 | 110 | 38 | 25 | 6 | 80 | 11 × 14 | 455 |
| 0538 | RG77YK | RGS77YK | - | - | 660/1000 | 100-500 | 5.7 | 58 | 110 | 137 | 38 | 25 | 6 | 80 | 10.5 × 22 | 495 |
| 0539 | RG77F | RGS77F | - | - | 660/1000 | 100-350 | 5.7 | 46 | 80 | 104 | 34.5 | 25 | 6 | 83 | 10 × 16 | 335 |
| 0540 | RG19 | RGS19 | - | CR6L | 600 | 600 | 5.7 | 43 | 97 | 122 | 36.5 | 30 | 8 | 83 | 11 × 13 | 219 |

Note: 1) According to user's requirements, the above-mentioned products can be added fuse striker "Z". Please add "Z" after the model when ordering.
2) RG77YK open type as dashed shows in the drawing.

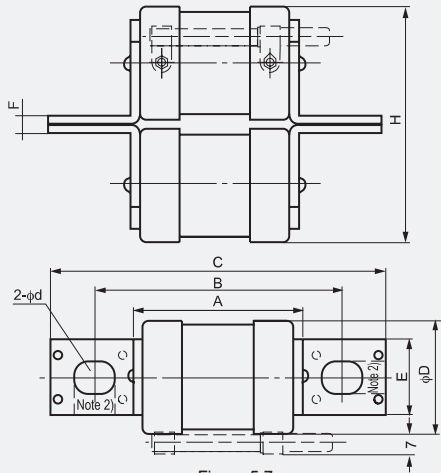


Figure 5.7

Table 5 (cont.)

| Cat. No. | Models | | Cross-reference | | Rated voltage (V) | Rated current (A) | Dimensions/size (mm) Fig. | Weight (g) |
|----------|--------|-------|-----------------|----------|-------------------|-------------------|---------------------------|------------|
| | MIRO | | gG(Normal) | aR(Fast) | | | | |
| 0541 | RG7C | RGS7C | - | - | 500/1000 | 100 | See figure 5.8 | 397 |

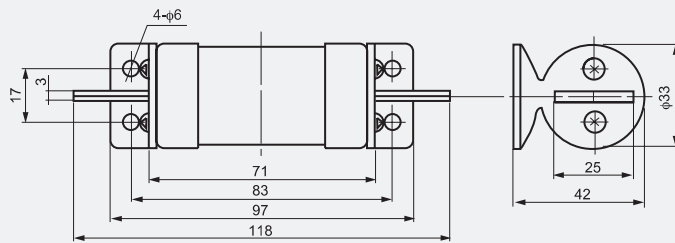


Figure 5.8

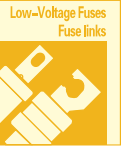
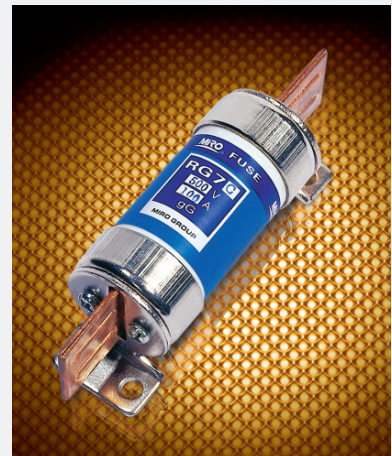


Table 5 (cont.)

| Cat. No. | Models | | Cross-reference | | Rated voltage (V) | Rated current (A) | Dimensions/size (mm) Fig. | Weight (g) |
|----------|-----------------|----------|-----------------|----------|-------------------|-------------------|---------------------------|------------|
| | MIRO gG(Normal) | aR(Fast) | gG(Normal) | aR(Fast) | | | | |
| 0542 | RG8M | RGS8M | - | - | 415/550 | 80-315 | See figure 5.9 | 507 |

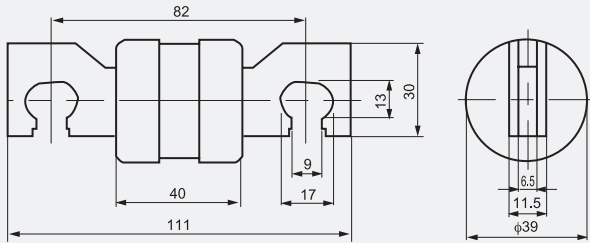


Figure 5.9



Low-Voltage Fuses
 Fuse links



Table 5 (cont.)

| Cat. No. | Models | | Cross-reference | | Rated voltage (V) | Rated current (A) | Dimensions/size (mm) Fig. | Weight (g) |
|----------|-----------------|----------|-----------------|----------|-------------------|-------------------|---------------------------|------------|
| | MIRO gG(Normal) | aR(Fast) | gG(Normal) | aR(Fast) | | | | |
| 0543 | RG10C | RGS10C | - | - | 500/1000 | 415-630 | See figure 5.10 | 840 |

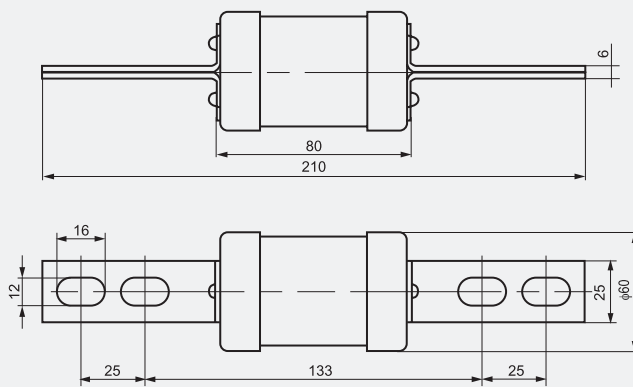


Figure 5.10

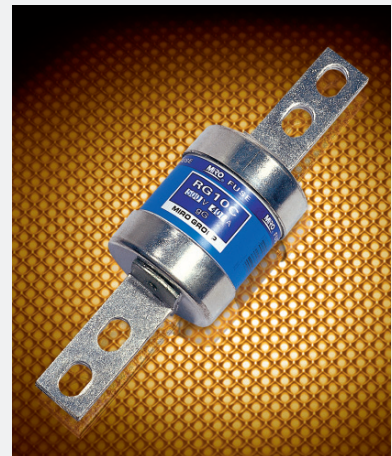


Table 5 (cont.)

| Cat. No. | Models | | Cross-reference | | Rated voltage (V) | Rated current (A) | Dimensions/size (mm) Fig. | Weight (g) |
|----------|---------|----------|-----------------|----------|-------------------|-------------------|---------------------------|------------|
| | MIRO | | gG(Normal) | aR(Fast) | | | | |
| 0544 | RG44(Z) | RGS44(Z) | - | GSG | 660/1000 | 75-160 | See figure 5.11 | 78 |

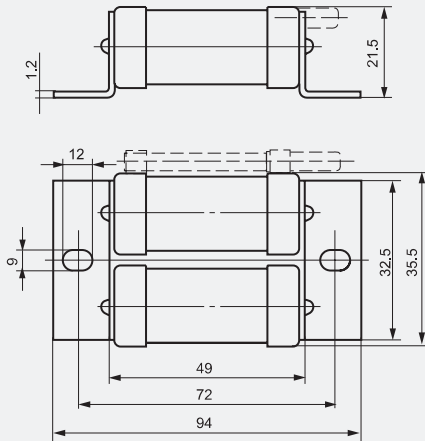


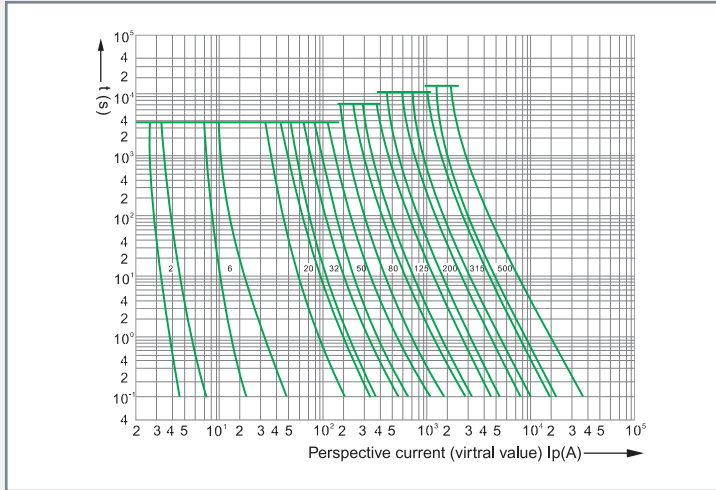
Figure 5.11



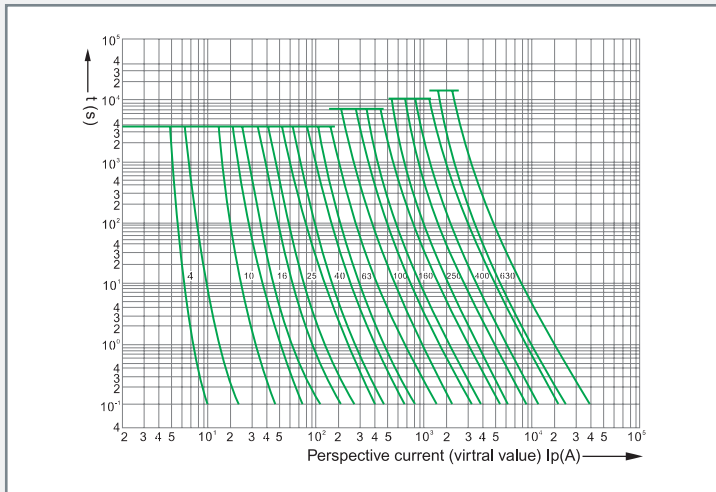
Low-Voltage Fuses
Fuse links



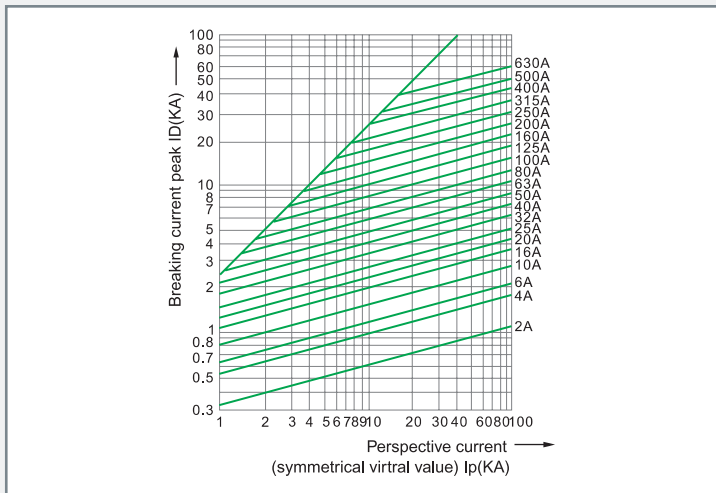
► Characteristics Curve



Time-current rang of "gG" fuse links



Time-current rang of "gG" fuse links



Breaking current characteristics curve of "gG" fuse links

